

注意：

- 安装前请完整阅读说明书。
- 灯具系统需由有资格的专业电工安装，并符合国家和地方的法律法规。
- 为了减少火灾，触电和人员受伤的危险，在安装或修改系统前，必须关闭电源总开关。
- 请保留本说明书用于将来维护作参考。
- 不按说明书安装灯具而出现的故障，将没有质量保证。

● **框架建筑安装：**

1. 折掉安装支架上三个可调节支架（图 A）。
2. 用金属螺丝锁紧安装支架（图 1a）。
注意：根据石膏板或木板的厚度调节安装支架到合适位置。
3. 把 3 个橡胶垫圈分别套在 3 个螺丝上，然后用螺丝把接线盒和安装支架固定在一起（图 1b、1c）。
注意：室内安装，可以不用橡胶垫圈，请按照国家电气法规和地方法规接线。
4. 在石膏板(或其它材料)上挖一个直径为 80mm 的孔，然后把安装支架嵌入到里面（图 1d）。
5. 去除密封垫圈表面离型纸，将其粘在灯具的背面（图 2）。
注意：室内安装，可以不贴密封垫圈。
6. 灯具与电线连接如下：灯具棕色连接线接火线，蓝色连接线接零线，黄绿色连接线接地线（图 3）。
注意：可以多个灯具（多达 200）并联使用，防水接头通过的防水电源线直径为 $\phi 6-8\text{mm}$ 。
7. 将所有的电线与连接端子放入到接线盒内再安装灯具。
注意：在室外安装时，需要保持安装位置干燥，为了防止灯具内部渗水，必须使用室外防水硅胶（GE RTV-162 或其它同规格产品）填充在灯具背面密封垫圈与安装表面之间的缝隙里。
8. 顺时针把灯具旋转锁紧在接线盒内（图 4）。
注意：灯具旋转不要超过三圈，否则会导致接线处断开。

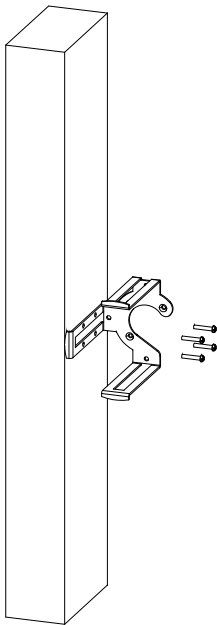


图 1.a

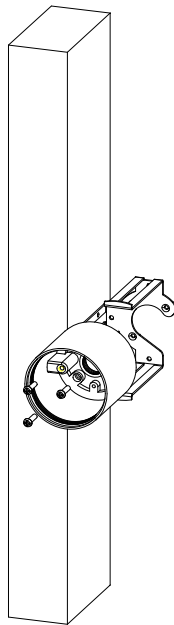


图 1.b

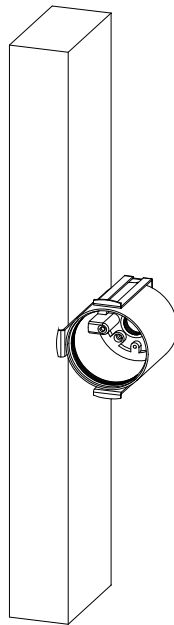


图 1.c

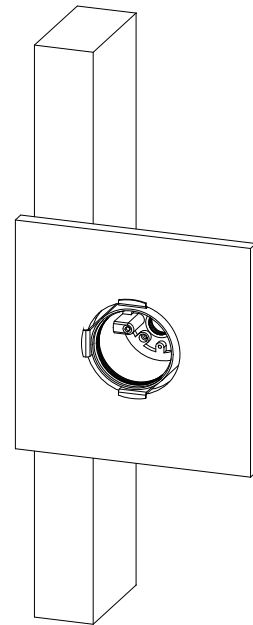


图 1.d

由“WAC”商标持有人美国 WAC Lighting 公司授权

中国营销总部：華格照明科技（上海）有限公司

地址：中国（上海）自由贸易试验区毕升路 299 弄 14 号 102 室（邮编 201204）

中国工厂：东莞华明灯具有限公司出品

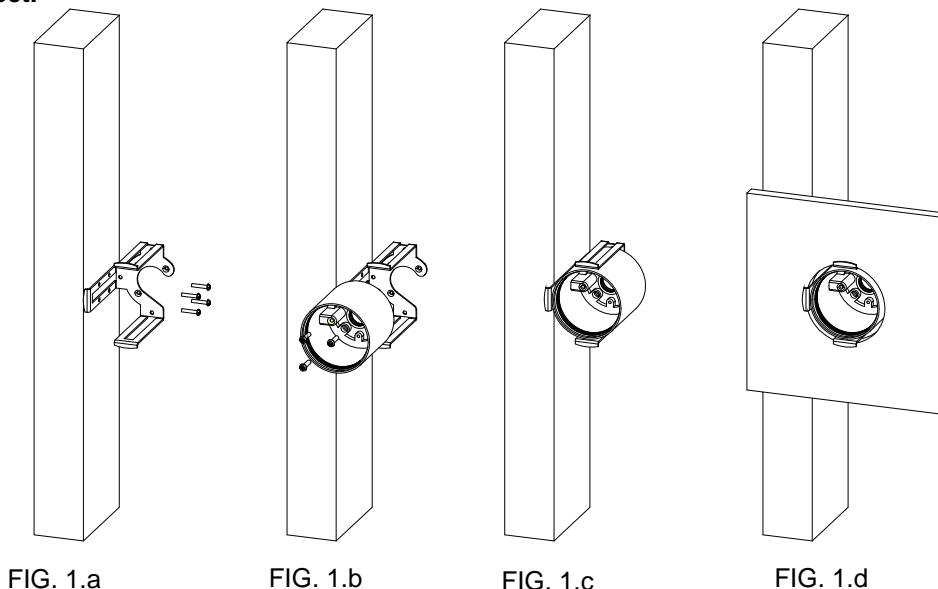
地址：广东省东莞市清溪镇清风路 390 号（邮编 523653）

IMPORTANT:

- Read all instructions before installing.
- System is intended for installation by a qualified electrician in accordance with the National Electric Code, and local regulations. Consult with local inspector to ensure compliance.
- To reduce the risk of fire, electrical shock and injuries to persons, turn off power at main switch before installing or modifying the system.
- Retain instructions for future maintenance reference.
- Not complying with instructions could result in failure of the fixtures, and void the warranty.

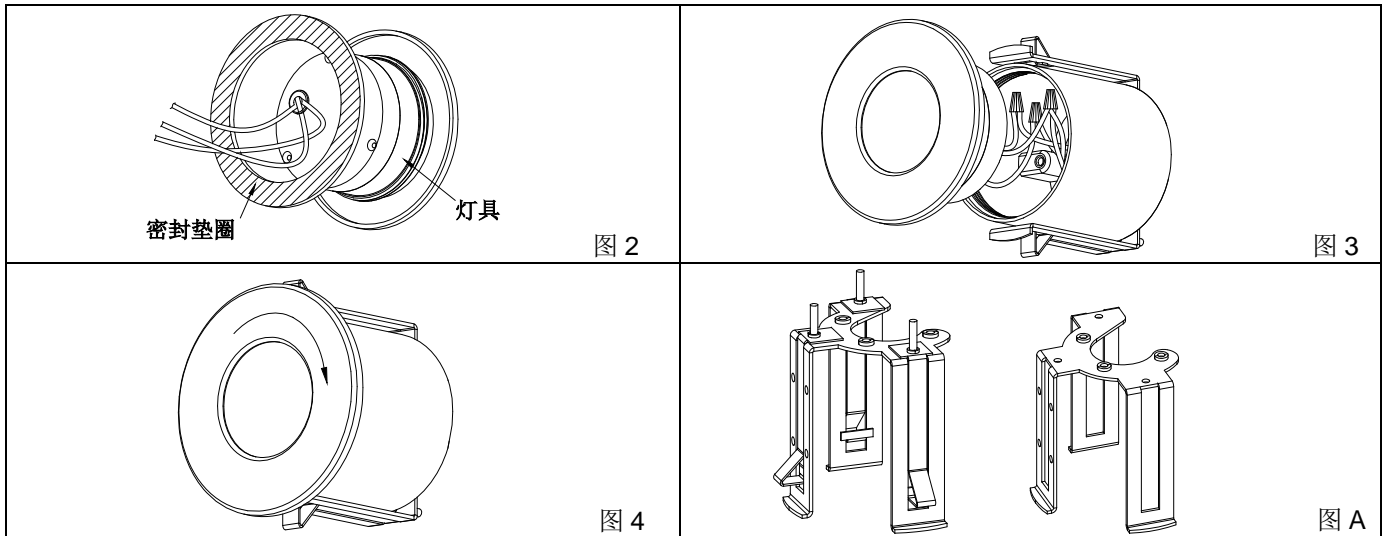
• FRAME-MOUNTED INSTALLATION INTO NEW STRUCTURES:

1. Remove all (3) adjusting brackets from mounting bracket as shown in Fig. A.
2. Use wood or sheet metal screws (by others) to attach mounting bracket to stud.
Important: Offset bracket forward to account for drywall or wood thickness. (Fig. 1a)
3. Attach the metal conduit to the canopy, then attach the canopy to the mounting bracket using the (3) screws and (3) rubber washers (pre-installed at the factory) provided. (Figs 1b & 1c). **Note: For indoor installation, rubber washers are not required, and can be discarded. Connect building wires to the canopy in accordance with the National Electrical Code and local ordinances.**
4. Install drywall (or other material) after cutting a 3 1/8" diameter hole to allow for the recessed mounting bracket. (Fig. 1d)
5. Slip gasket onto the back of the fixture. (Fig. 2)
Note: For indoor installation, gasket is not required, and can be discarded.
6. Connect the fixture wires to the housing wires as follows: Black fixture wire to black (Hot) housing wire, White fixture wire to white (Neutral) housing wire, and Green fixture wire to Ground. (Fig. 3)
Note: Multiple fixtures (up to 200) can be wired together in parallel: Hot to hot, and neutral to neutral.
7. Place all wiring and connectors back in housing and install the fixture.
Note: For outdoor installation, it is recommended that the installer run a bead of clear, outdoor-rated silicone (GE RTV-162 or equivalent) caulk between gasket or back of fixture and mounting surface to prevent seepage of water into fixture.
8. Secure the fixture to the housing by turning it clockwise into the canopy. (Fig. 4)
Important: Do not rotate fixture more than 3 full revolutions since doing so might cause the wires to disconnect.



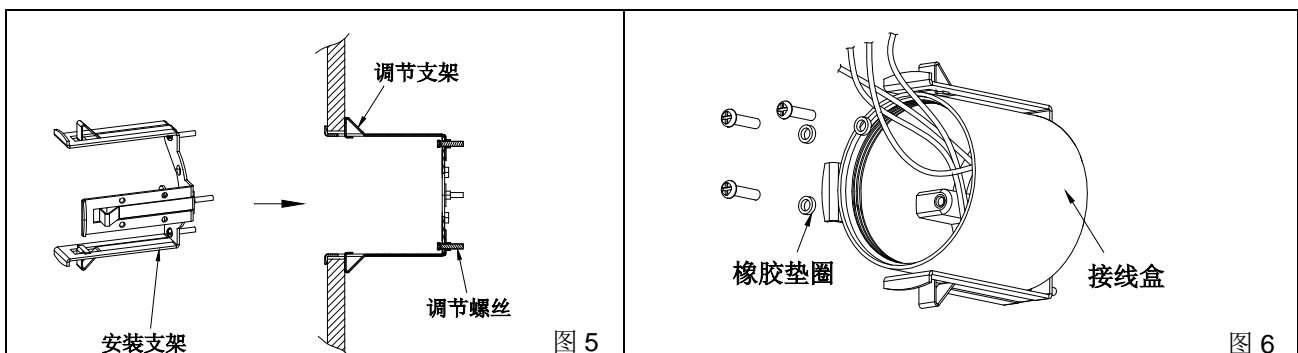
“WAC” trademarks holder is WAC Lighting Co., Ltd which authorizes other firms to use trademarks.

China sale headquarter : WAC Lighting Technology (Shanghai) Co., Ltd.
Address : No. 14, Lane 299, Bi Sheng Road, Zhang Jiang, China (Shanghai) Pilot Free Trade Zone 201204
China factory : WAC Lighting (Dongguan) Co., Ltd.
Address : No.390, Qing Feng Road, Qing Xi Town, Dongguan City, Guangdong Province, China 523653

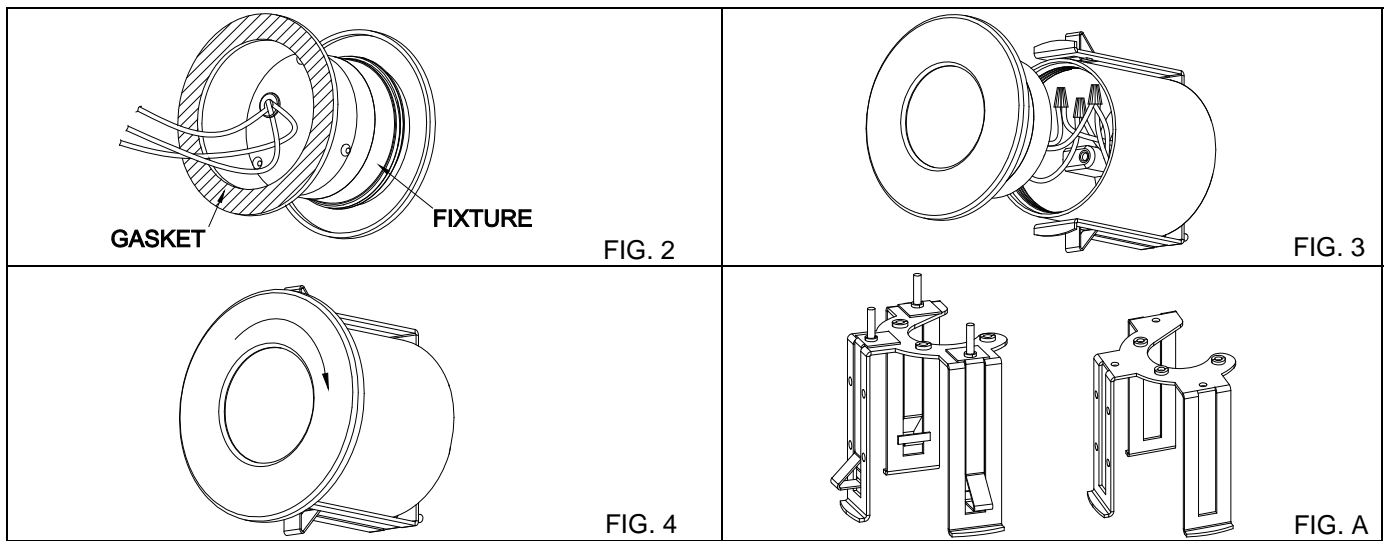


• 在石膏板或夹板上安装灯具:

1. 在石膏板的表面上（或其他材料）上钻一个直径为 80mm，深度至少为 102mm 的孔。以便装入灯具，穿过孔，拉电源线。
2. 从安装支架上松开三个调节支架（图 A）。拉出电源线贯通孔背面的安装支架，然后将安装支架与调节支架一起塞入到孔里（图 5）。
3. 使用十字螺丝刀，通过调节螺丝保证安装支架与石膏板上孔的边缘接触良好。
4. 把三个橡胶垫圈分别套在三个螺丝上，然后用螺丝将电器盒与安装支架固定在一起（图 6）。
注意：室内安装，不需要橡胶垫圈。请按照国家电气法规和地方法规接线。
5. 去除密封垫圈表面离型纸，将其粘在灯具的背面（图 2）。
注意：室内安装，可以不贴密封垫圈。
6. 灯具与电线连接如下：灯具棕色连接线接火线，蓝色连接线接零线，黄绿色连接线接地线（图 3）。
注意：可以多个灯具（多达 200）并联使用，防水接头通过的防水电源线直径为 $\phi 6-8\text{mm}$ 。
7. 将所有的电线与连接端子放入到接线盒内再安装灯具。
注意：在室外安装时，需要保持安装位置干燥，为了防止灯具内部渗水，必须使用室外防水硅胶（GE RTV-162 或其它同规格产品）填充在灯具背面密封垫圈与安装表面之间的缝隙里。
8. 顺时针把灯具旋转锁紧在接线盒内（图 4）。
注意：灯具旋转不要超过三圈，否则会导致接线处断开。

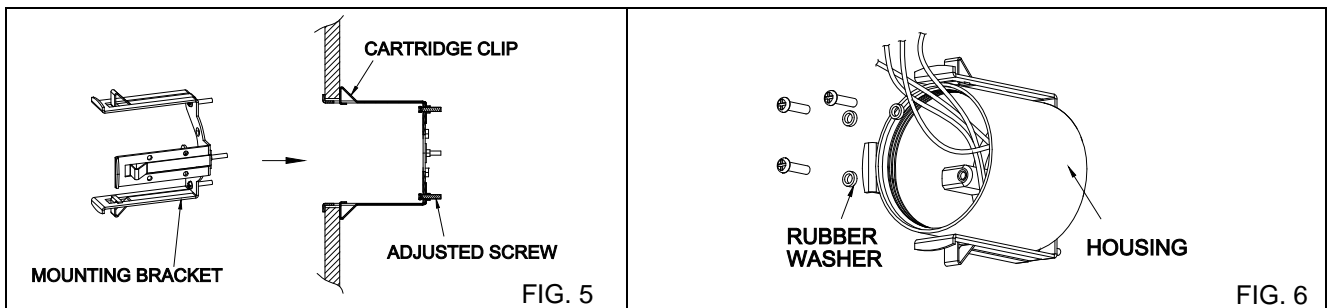


由“WAC”商标持有人美国 WAC Lighting 公司授权
 中国营销总部 : 华格照明科技（上海）有限公司
 地址 : 中国（上海）自由贸易试验区毕升路 299 弄 14 号 102 室（邮编 201204）
 中国工厂 : 东莞华明灯具有限公司出品
 地址 : 广东省东莞市清溪镇清风路 390 号（邮编 523653）



• **INSTALLATION INTO EXISTING (DRYWALL / PLYWOOD) STRUCTURES:**

1. Cut a hole 3 1/8" in diameter on the surface of the drywall (or other sheeting material). Hole needs to have a depth of at least 4" in order to accommodate the housing and wiring. Pull building wire through the hole.
2. Loosen the three securing the three adjusting brackets to the mounting bracket. (Fig. A) Pull building wiring through hole in the back of the mounting bracket, then insert bracket with adjusters into wall. (Fig. 5)
3. Using a Phillips bit, tighten each of the three adjusters until the mounting bracket fits snugly in the hole.
4. Attach the metal conduit to the canopy, then attach the canopy to the mounting bracket using the (3) screws and (3) rubber washers (pre-installed at the factory) provided. (Fig. 6)
Note: For indoor installation, rubber washers are not required, and can be discarded. Connect building wires to the canopy in accordance with the National Electrical Code and local ordinances.
5. Slip gasket onto the back of the fixture. (Fig. 2)
Note: For indoor installation, gasket is not required, and can be discarded.
6. Connect the fixture wires to the housing wires as follows: Brown fixture wire to Brown (Hot) housing wire, Blue fixture wire to blue (Neutral) housing wire, and Green fixture wire to Ground. (Fig. 3)
Note: Multiple fixtures (up to 200) can be wired together in parallel: Hot to hot, and neutral to neutral.
7. Place all wiring and connectors back in housing and install the fixture.
Note: For outdoor installation, it is recommended that the installer run a bead of clear, outdoor-rated silicone (GE RTV-162 or equivalent) caulk between gasket or back of fixture and mounting surface to prevent seepage of water into fixture.
8. Secure the fixture to the housing by turning it clockwise into the canopy. (Fig. 4)
Important: Do not rotate fixture more than 3 full revolutions since doing so might cause the wires to disconnect.

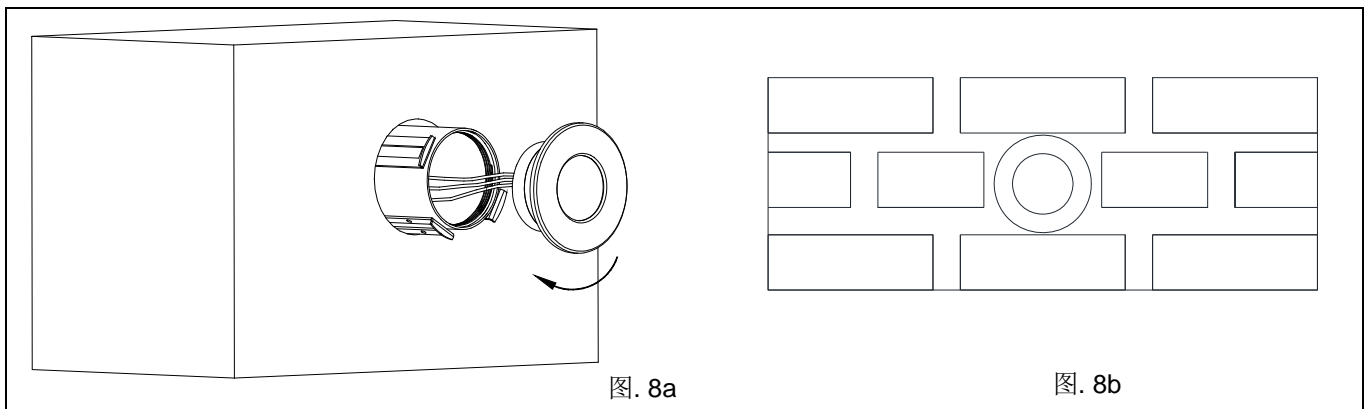


"WAC" trademarks holder is WAC Lighting Co., Ltd which authorizes other firms to use trademarks.

China sale headquarter : WAC Lighting Technology (Shanghai) Co., Ltd.
Address : No. 14, Lane 299, Bi Sheng Road, Zhang Jiang, China (Shanghai) Pilot Free Trade Zone 201204
China factory : WAC Lighting (Dongguan) Co., Ltd.
Address : No.390, Qing Feng Road, Qing Xi Town, Dongguan City, Guangdong Province, China 523653

• 在墙壁上安装灯具:

1. 折掉安装支架上三个可调节支架（图 A）。
2. 在墙壁上挖一个直径为 80mm，深度至少为 102mm 的孔，以便装入灯具，穿过孔，拉电源线。
3. 把 3 个橡胶垫圈分别套在 3 个螺丝上，然后用螺丝把接线盒和安装支架固定在一起（图 1b、1c）。
注意：室内安装，不需要橡胶垫圈。请按照国家电气法规和地方法规接线。
4. 去除密封垫圈表面隔离纸，将其粘在灯具的背面（图 2）。
注意：室内安装，可以不贴密封垫圈。
5. 灯具与电线连接如下：灯具棕色连接线接火线，蓝色连接线接零线，黄绿色连接线接地线（图 3）。
注意：可以多个灯具（多达 200）并联使用，防水接头通过的防水电源线直径为 $\phi 6-8\text{mm}$ 。
6. 将所有的电线与连接端子放入到接线盒内再安装灯具。
注意：在室外安装时，需要保持安装位置干燥，为了防止灯具内部渗水，必须使用室外防水硅胶（GE RTV-162 或其它同规格产品）填充在灯具背面密封垫圈与安装表面之间的缝隙里。
7. 顺时针把灯具旋转锁紧在接线盒内（图 4）。
注意：灯具旋转不要超过三圈，否则会导致接线处断开。
8. 对于安装到墙壁中的灯具，接线盒被完全密封。灯具与接线盒装配好后，边缘用灰泥填平（图 8a、8b）。



• **INSTALLATION INTO MORTAR STRUCTURES:**

1. Remove all (3) adjusting brackets from mounting bracket as shown in Fig. A.
2. Cut a hole 3 1/8" in diameter on the surface of the wall. Hole needs to have a depth of at least 4" in order to accommodate the housing and wiring. Pull building wire through the hole.
3. Attach the metal conduit to the canopy, then attach the canopy to the mounting bracket using the (3) screws and (3) rubber washers (pre-installed at the factory) provided. (Fig. 6)
Note: For indoor installation, rubber washers are not required, and can be discarded. Connect building wires to the canopy in accordance with the National Electrical Code and local ordinances.
4. Slip gasket onto the back of the fixture. (Fig. 2)
Note: For indoor installation, gasket is not required, and can be discarded.
5. Connect the fixture wires to the housing wires as follows: Brown fixture wire to Brown(Hot) housing wire, Blue fixture wire to Blue (Neutral) housing wire, and Green fixture wire to Ground. (Fig. 3)
Note: Multiple fixtures (up to 200) can be wired together in parallel: Hot to hot, and neutral to neutral.
6. Place all wiring and connectors back in housing and install the fixture.
Note: For outdoor installation, it is recommended that the installer run a bead of clear, outdoor-rated silicone (GE RTV-162 or equivalent) caulk between gasket or back of fixture and mounting surface to prevent seepage of water into fixture.
7. Secure the fixture to the housing by turning it clockwise into the canopy. (Fig. 4)
Important: Do not rotate fixture more than 3 full revolutions since doing so might cause the wires to disconnect.
8. For installation into masonry, it is important that the fixture be completely sealed. Attach metal conduit to the canopy, then use mortar to secure canopy in place. (Figs. 8a 8b)

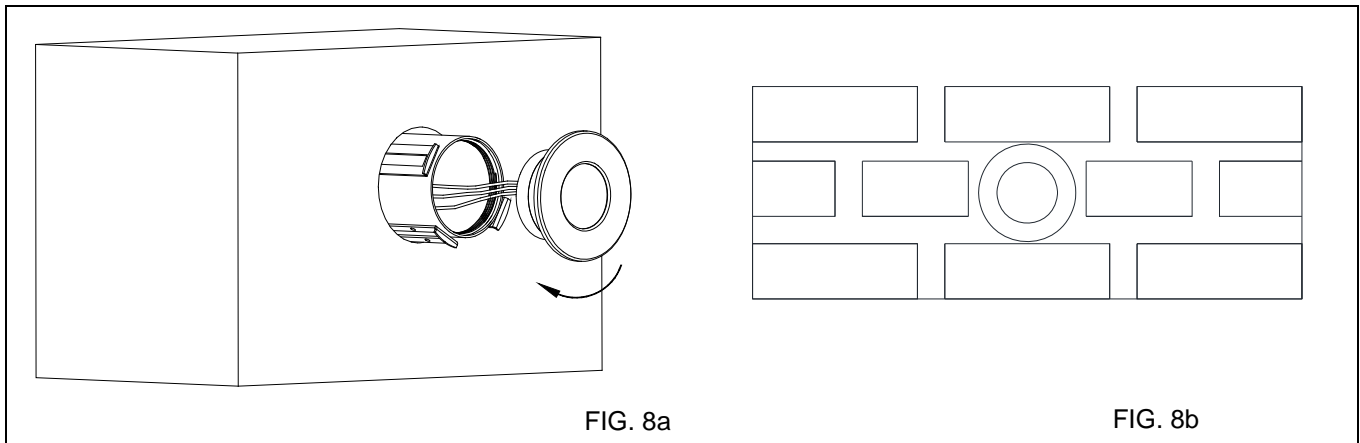


FIG. 8a

FIG. 8b

“WAC” trademarks holder is WAC Lighting Co., Ltd which authorizes other firms to use trademarks.

China sale headquarter : WAC Lighting Technology (Shanghai) Co., Ltd.
Address : No. 14, Lane 299, Bi Sheng Road, Zhang Jiang, China (Shanghai) Pilot Free Trade Zone 201204
China factory : WAC Lighting (Dongguan) Co., Ltd.
Address : No.390, Qing Feng Road, Qing Xi Town, Dongguan City, Guangdong Province, China 523653